

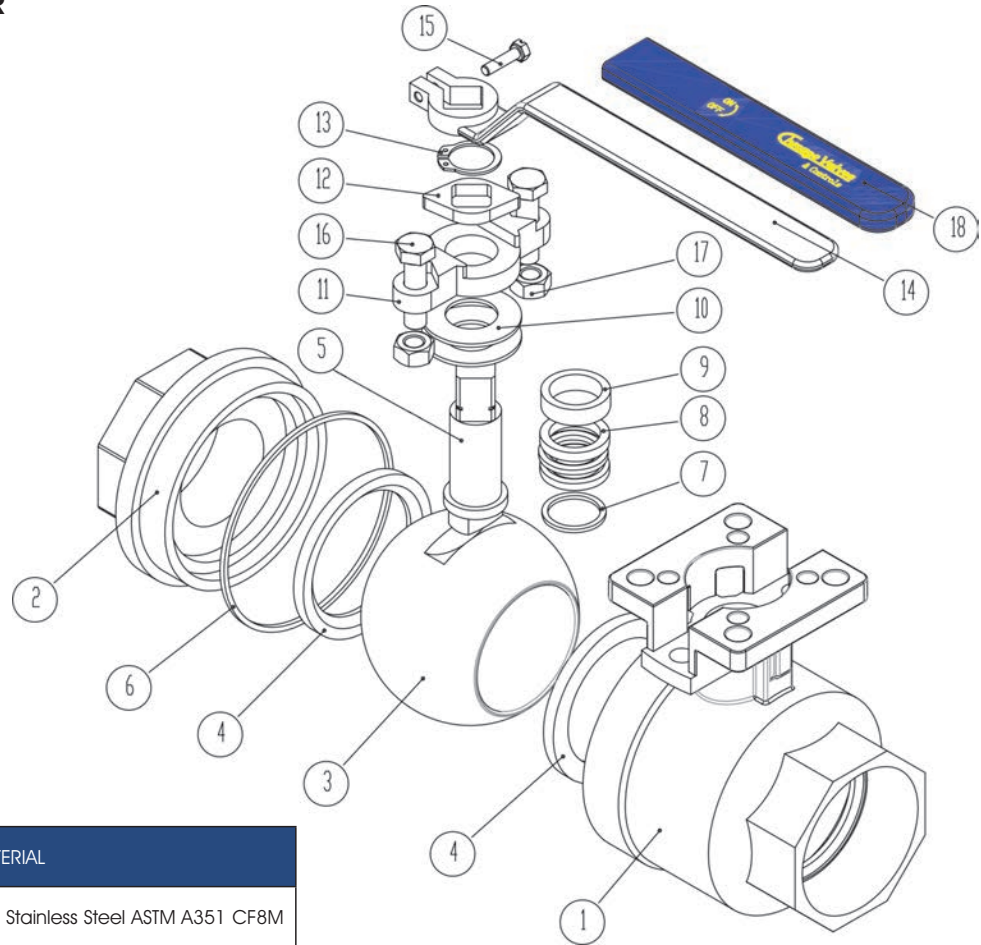
Chicago Valves & Controls



————— **SERIES 25** —————
**DIRECT MOUNTED FULL PORT
THREADED 2PC BALL VALVE**

1000 CWP (1/4"-2")
316 STAINLESS STEEL - ASTM A351 CF8M
HIGH CYCLE LIVE LOADED STEM PACKING
ANTI STATIC DEVICE
STEAM RATING 150 PSI WSP
DIRECT MOUNTED VACUUM SERVICE TO 29" Hg
ELEVATED MOUNTING PAD ALLOWING TO ADJUST GLAND
PACKING FLANGE WHILE THE VALVE IN SERVICE WITHOUT
REMOVING THE ACTUATOR
ANTI-STATIC DESIGN

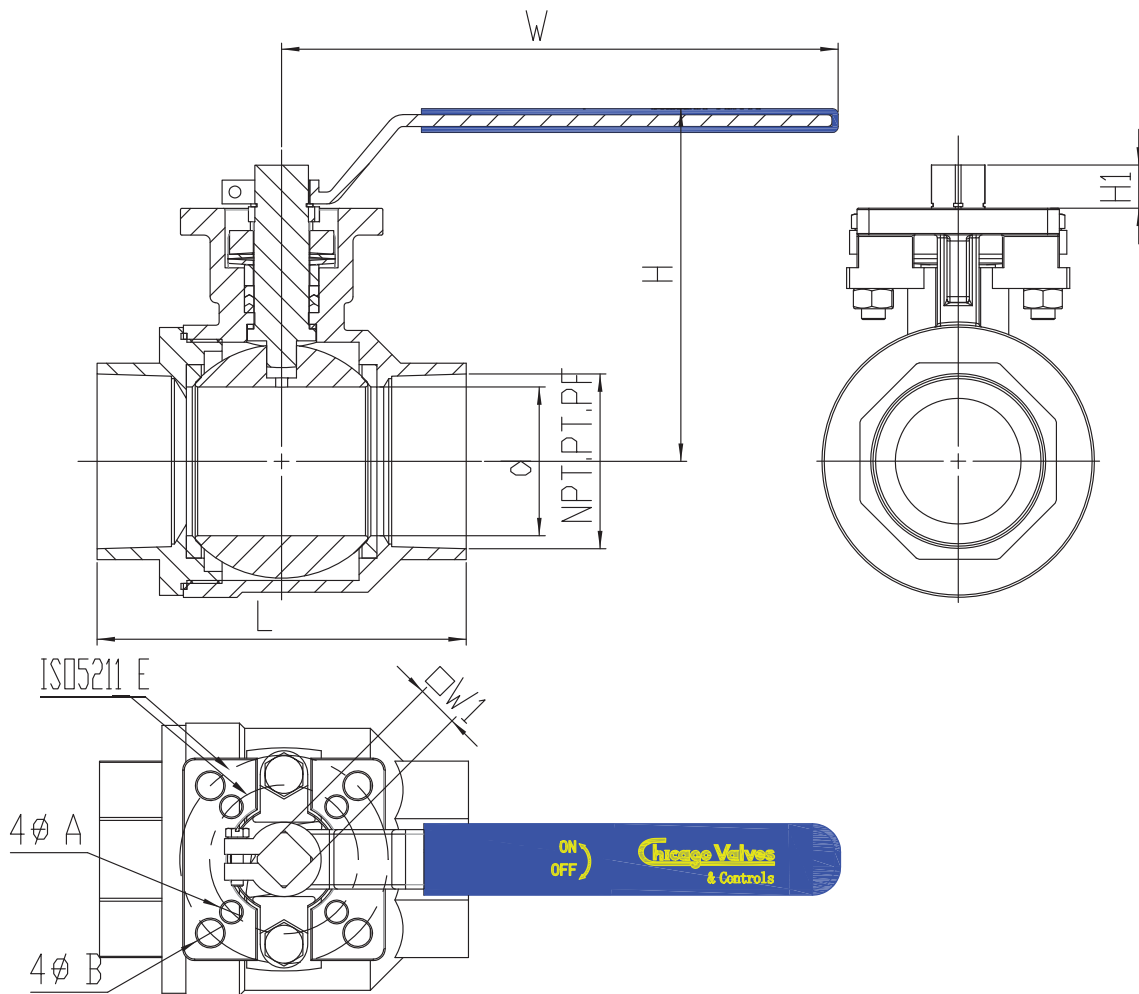
Series 25



PARTS & MATERIAL

PART NO.	PART NAME	QTY.	MATERIAL
1	Body	1	316 Stainless Steel ASTM A351 CF8M
2	End Piece	1	316 Stainless Steel ASTM A351 CF8M
3	Ball	1	316 Stainless Steel
4	Seat	2	RPTFE
5	Stem	1	316 Stainless Steel
6	Body Seal	1	PTFE
7	Thrust Washer	1	Carbon Fill PTFE
8	Stem Packing	3	PTFE
9	Gland	1	304 Stainless Steel
10	Belleville Washer	2	300 Stainless Steel
11	Gland Flange	1	304 Stainless Steel
12	Travel Stopper	1	304 Stainless Steel
13	Snap Ring	1	300 Stainless Steel
14	Handle	1	304 Stainless Steel
15	Bolt	1	300 Stainless Steel
16	Gland Bolt	2	300 Stainless Steel
17	Nut	2	300 Stainless Steel
18	Handle Sleeve	1	PVC

Series 25



DIMENSIONS (INCHES)

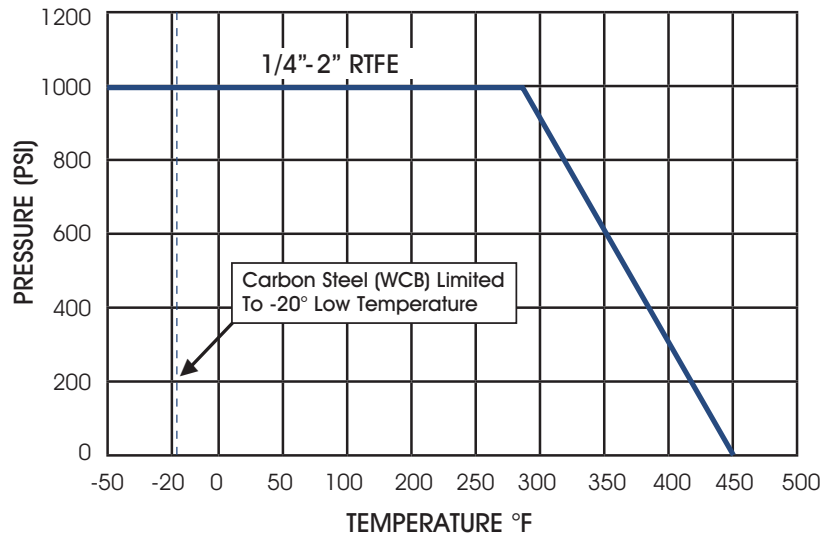
SIZE	d	L	H	W	ISO 5211	E	H1	W1	A	B
1/4"	0.46	2.28	3.15	4.84	F03-F04	1.42-1.65	0.35	0.35	0.24	0.24
3/8"	0.50	2.28	3.15	4.84	F03-F04	1.42-1.65	0.35	0.35	0.24	0.24
1/2"	0.59	2.28	3.15	4.84	F03-F04	1.42-1.65	0.35	0.35	0.24	0.24
3/4"	0.79	2.64	3.31	4.84	F03-F04	1.42-1.65	0.35	0.35	0.24	0.24
1"	0.98	3.07	3.74	6.02	F04-F05	1.65-1.97	0.43	0.43	0.24	0.28
1 1/4"	1.26	3.54	3.94	6.02	F04-F05	1.65-1.97	0.43	0.43	0.24	0.28
1 1/2"	1.50	4.09	5.08	7.20	F05-F07	1.97-2.76	0.55	0.55	0.28	0.35
2"	1.97	4.96	5.39	7.20	F05-F07	1.97-2.76	0.55	0.55	0.28	0.35

APPLICABLE STANDARDS

SHELL TEST	ASME B16.34
SEAT TEST	ASME B16.34
THREADED ENDS	ASTM B16.11
MOUNTED PAD	ISO 5211

SIZE	CV (GPM)	WEIGHT (LBS)
1/4"	6	1.21
3/8"	7	1.12
1/2"	10	1.06
3/4"	25	1.32
1"	35	2.01
1 1/4"	46	2.76
1 1/2"	80	4.74
2"	110	6.97

PRESSURE-TEMPERATURE RATING 1/4"-4" SERIES 25



HOW TO ORDER

1"	25	6	6	R	1
Size	Series	Body	Ball & Stem	Seats	Operator
SIZE	SERIES	BODY	BALL & STEM	SEATS	OPERATOR
1/4"	25	4 Carbon Steel	6 316 Stainless Steel	R RTFE	1 Bare Stem
3/8"		6 316 Stainless Steel			2 Lockable Handle
1/2"					
3/4"					
1"					
1"					
1 1/2"					
2"					

Chicago Valves & Controls



Toll-Free (833) 831-2312

Local (312) 637-3557

Fax: (312) 637-3543

E-Mail: sales@chicagovalves.com

www.chicagovalves.com

885 Cambridge Dr.

Elk Grove Village, Illinois 60007 U.S.A.